

DIAMOND ANALYSIS REPORT™

EGL



UNIVERSAL GEMOLOGICAL SERVICE

Consultation of Appraisal

Report US 917613502D July 10, 2017
 Measurement 5.64 - 5.61 x 3.49 mm
 Shape/Style ROUND BRILLIANT
 Weight 0.70 ct
 Clarity SI2
 Color G
 TOTAL ESTIMATED RETAIL
 REPLACEMENT VALUE \$4,480.00
 Description of Item:
 ONE NATURAL DIAMOND DESCRIBED IN DETAIL ABOVE



NATURAL DIAMOND
 REPORT # US 917613502D GP

SHAPE & STYLE ROUND BRILLIANT

MEASUREMENTS 5.64 - 5.61 x 3.49 mm
 DEPTH 62.0%

CARAT WEIGHT 0.70 CT

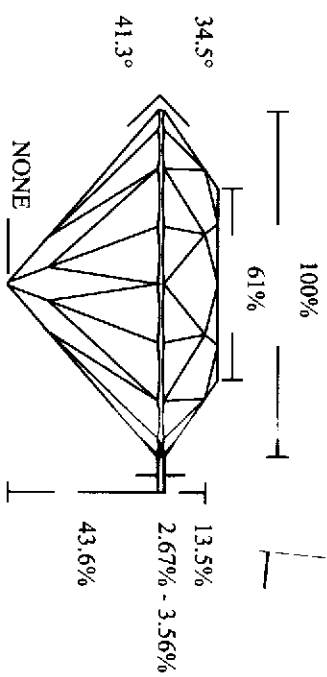
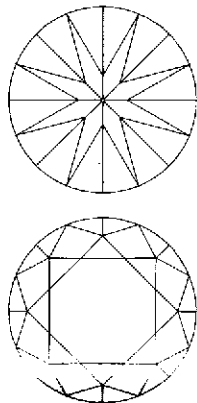
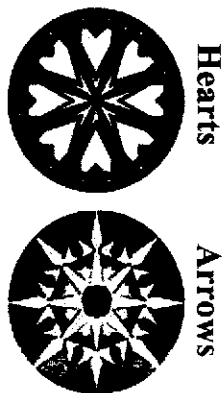
CUT GRADE EGL VERY GOOD

CLARITY GRADE SI2

COLOR GRADE G

FLUORESCENCE FAINT BLUE

COMMENTS



POLISH EXCELLENT

SYMMETRY VERY GOOD

JULY 10, 2017

This document was produced with the following security measures:
 Ink screens, holographic security seal, tamperproof background design,
 EGL embossing and other safety features, custom designed for EGL USA.

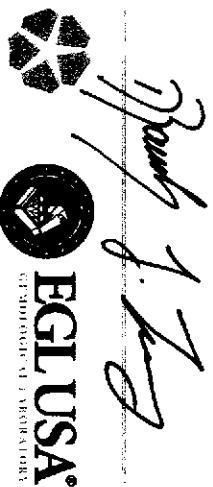
We certify that the above item has been thoroughly examined in our laboratory.

PHOTOGRAPH APPROXIMATE
 TERMS AND CONDITIONS ON REVERSE

[Signature]

UGS IS AN AFFILIATE OF EGL USA

11. TOWNS
 eler



TERMS AND CONDITIONS ON REVERSE